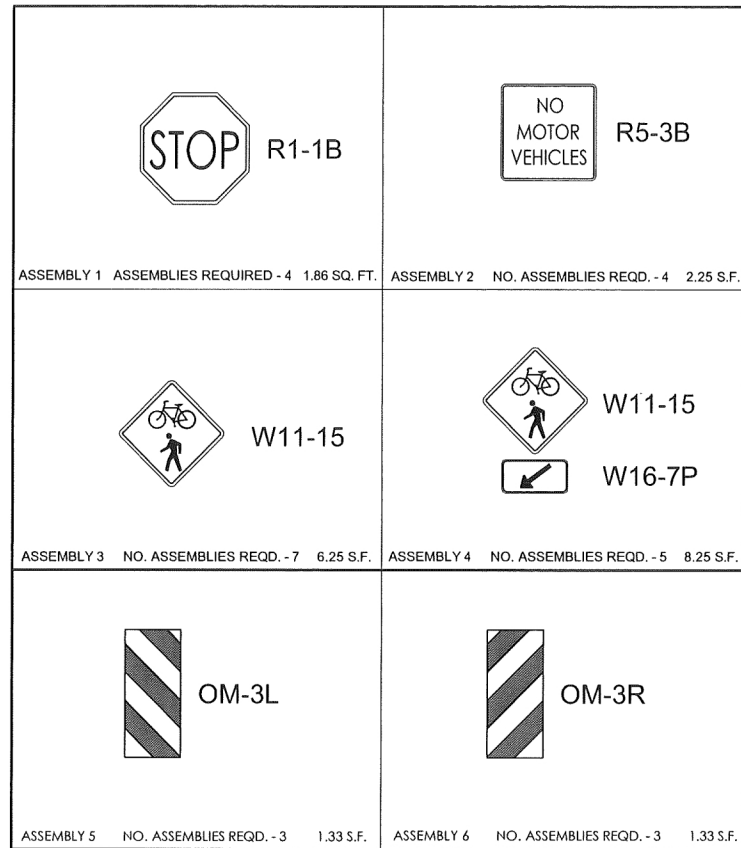


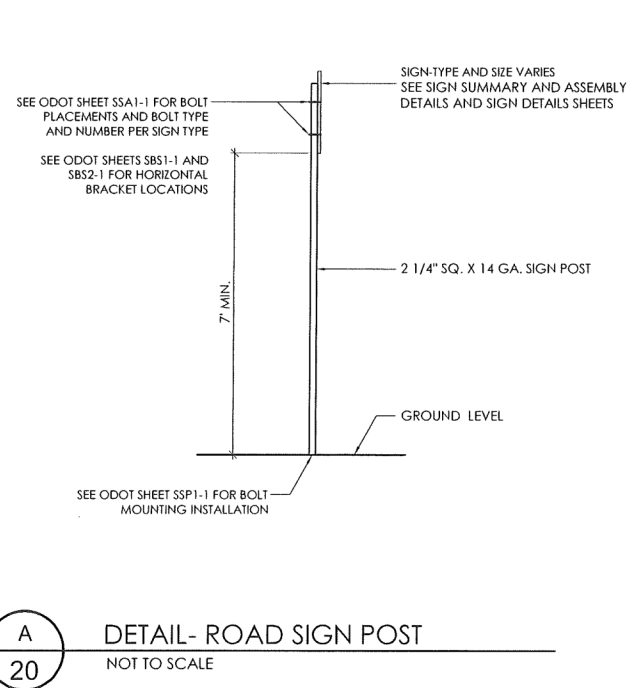
SIGN ASSEMBLY DETAILS



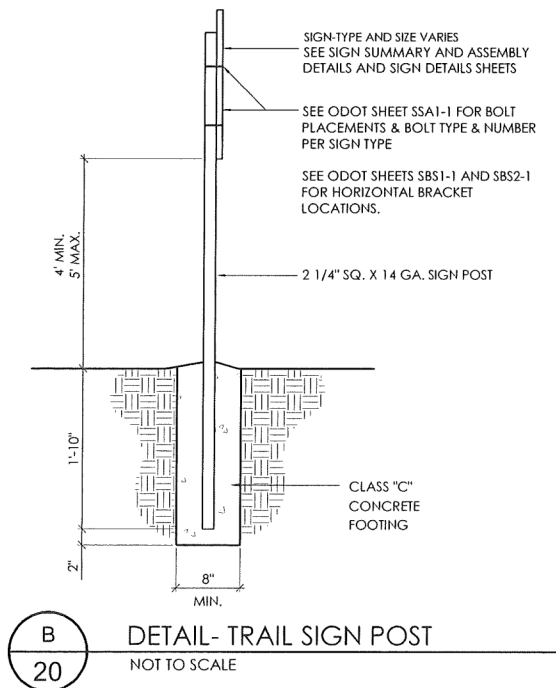
SIGN SUMMARY

SIGN #	STATION	OFFSET	TYPE OF SIGN	850(A)	851(C)	COMMENTS
				SHEET ALUMINUM SIGNS SF	2-1/4" SQUARE TUBE POST LF	
1	0+00.30	10.83' L	ASSEMBLY 4	8.25	10	SIGN FACES NORTH / SOUTHBOUND TRAFFIC
2	0+00.30	310.83' L	ASSEMBLY 3	6.25	10	SIGN FACES NORTH / SOUTHBOUND TRAFFIC
3	1+41.22	8.08' L	ASSEMBLY 4	8.25	10	SIGN FACES EAST / ON-COMING TRAFFIC
4	2+05.89	7.00' L	ASSEMBLY 5	1.33	10	SIGN FACES SOUTHWEST
5	2+05.89	7.00' R	ASSEMBLY 6	1.33	10	SIGN FACES SOUTHWEST
6	2+12.00	7.00' R	ASSEMBLY 5	1.33	10	SIGN FACES NORTHEAST
7	2+12.00	7.00' L	ASSEMBLY 6	1.33	10	SIGN FACES NORTHEAST
8	4+38.07	20.30' R	ASSEMBLY 3	6.25	10	SIGN FACES NORTH-EAST / WESTBOUND TRAFFIC
9	21+53.82	8.03 R	ASSEMBLY 1	1.86	10	SIGN FACES WEST
10	21+66.80	9.50' L	ASSEMBLY 2	2.25	10	SIGN FACES EAST
11	21+68.14	16.40' L	ASSEMBLY 3	6.25	10	SIGN FACES NORTH / SOUTHBOUND TRAFFIC
12	22+11.47	9.48' L	ASSEMBLY 1	1.86	10	SIGN FACES EAST
13	22+22.63	7.95 R	ASSEMBLY 2	2.25	10	SIGN FACES WEST
14	35+18.36	8.07' R	ASSEMBLY 1	1.86	10	SIGN FACES WEST
15	35+30.61	9.51' L	ASSEMBLY 2	2.25	10	SIGN FACES EAST
16	35+27.47	18.77' L	ASSEMBLY 3	6.25	10	SIGN FACES NORTH / SOUTHBOUND TRAFFIC
17	35+77.15	9.55' L	ASSEMBLY 1	1.86	10	SIGN FACES EAST
18	35+93.39	7.97' R	ASSEMBLY 2	2.25	10	SIGN FACES WEST
19	44+00.00	5.96' L	ASSEMBLY 5	1.33	10	SIGN FACES NORTH
20	44+28.19	5.96' L	ASSEMBLY 6	1.33	10	SIGN FACES SOUTH
21	46+38.33	8.57' L	ASSEMBLY 4	8.25	10	SIGN FACES EAST / WESTBOUND TRAFFIC
22	46+38.50	305.76' L	ASSEMBLY 3	6.25	10	SIGN FACES EAST / WESTBOUND TRAFFIC
23	46+81.73	7.94' R	ASSEMBLY 4	8.25	10	SIGN FACES WEST / EASTBOUND TRAFFIC
24	46+81.73	307.94' R	ASSEMBLY 3	6.25	10	SIGN FACES WEST / EASTBOUND TRAFFIC
25	47+66.61	12.18' R	ASSEMBLY 4	8.25	10	SIGN FACES WEST / EASTBOUND TRAFFIC
26	47+66.61	312.18' R	ASSEMBLY 3	6.25	10	SIGN FACES WEST / EASTBOUND TRAFFIC
TOTAL				109	260	

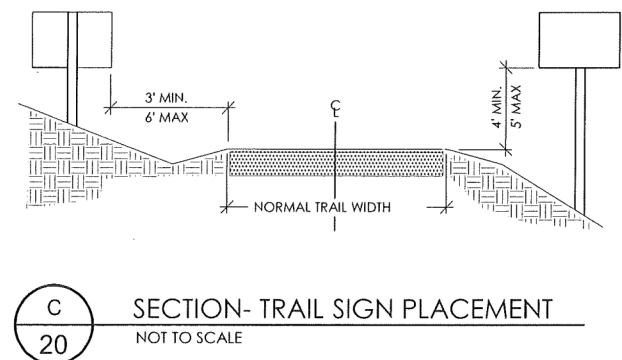
OKLAHOMA DEPARTMENT OF TRANSPORTATION					
FED. ROAD DIST. NO.	STATE	PROJ. NO.	FISCAL YEAR	SHEET NO.	TOTAL SHEETS
6	OKLA	28844(04)			
DESCRIPTION				REVISIONS	DATE



A
20
DETAIL- ROAD SIGN POST
NOT TO SCALE

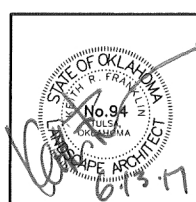


B
20
DETAIL- TRAIL SIGN POST
NOT TO SCALE



C
20
SECTION- TRAIL SIGN PLACEMENT
NOT TO SCALE

F:\582 Sand Springs Park Road Trail\1692-Details.DWG, 6/8/2017 3:20:52 PM



City of Sand Springs - Park Road Trail		PREPARED BY: LANDPLAN CONSULTANTS		Tulsa County	
Design	JM	7/16			
Drawn	JM/BB	8/16			
Checked	KF/JM	6/17	SIGN SUMMARY & ASSEMBLY DETAILS		
Approved					
Squad	LandPlan		STATE JOB NO. 28844(04)	Sheet No. 20 of 62	